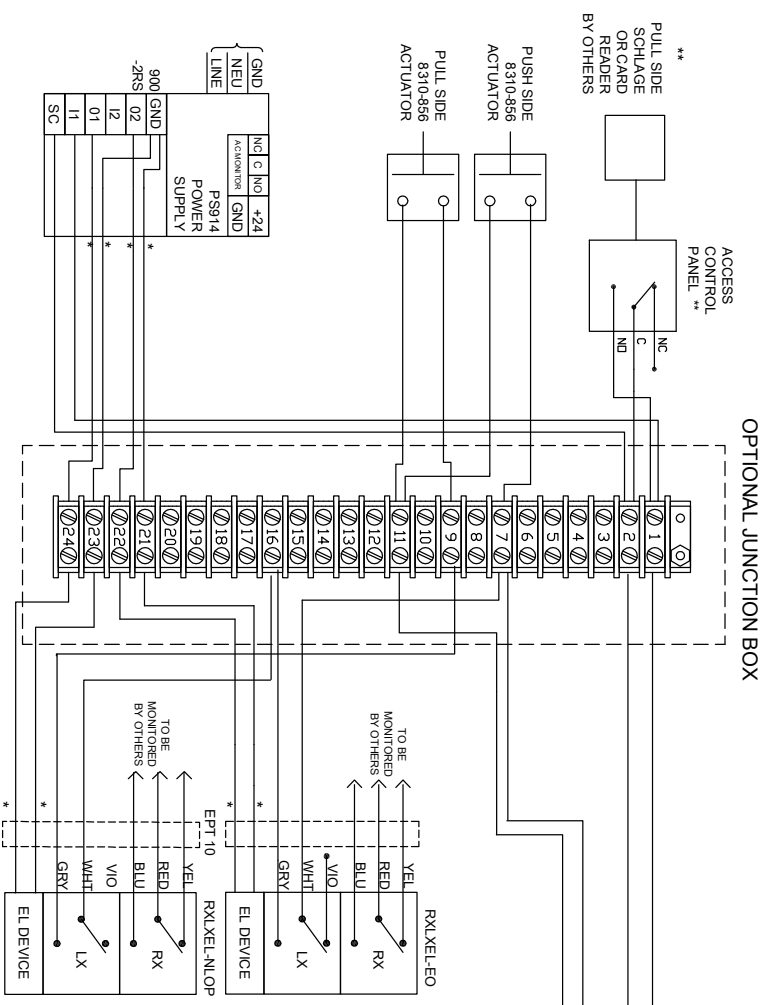


THIS DIAGRAM REPRESENTS A GENERIC CONFIGURATION. CUSTOM WIRING DIAGRAMS CAN BE ACQUIRED BY CONTACTING TECHNICAL SUPPORT.



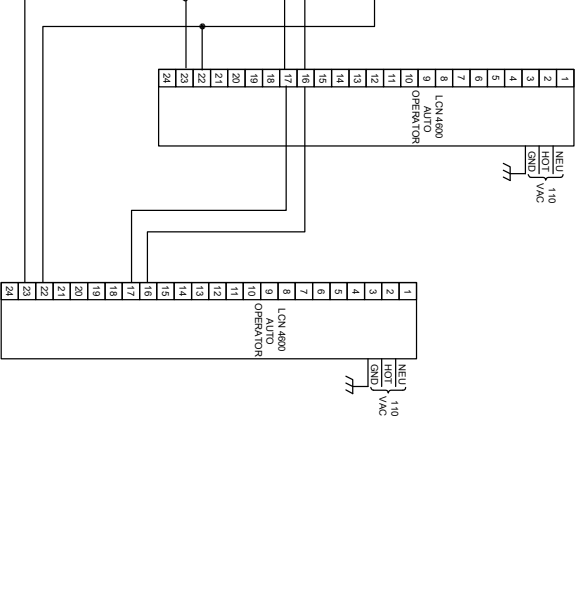
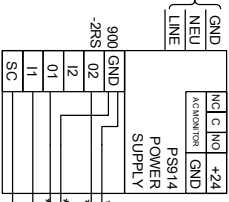
OPTIONAL JUNCTION BOX

ACCESS CONTROL PANEL **

** PULL SIDE SCHLAGE OR CARD READER BY OTHERS

PUSH SIDE 8310-856 ACTUATOR

PULL SIDE 8310-856 ACTUATOR



NOTE:
 *USE #12 GAUGE WIRE FOR DISTANCES UP TO 200' FROM EPT TO PS914
 *USE #14 GAUGE WIRE FOR DISTANCES UP TO 100' FROM EPT TO PS914
 **ADDITIONAL WIRING IS REQUIRED SEE MANUFACTURER INSTALLATION INSTRUCTION
 OPTIONAL JUNCTION BOX IS AVAILBLE FROM VON DUPRIN AS A JB7

- NOTES:
- 1) ALL LOW VOLTAGE WIRING TO BE STANDARD. MULTI-CONDUCTOR COLOR CODED WITHOUT SPLICES.
 - 2) WIRING TO CONFORM TO APPLICABLE NATIONAL, STATE AND LOCAL ELECTRICAL CODES.
 - 3) REFER TO SPECIFIC PRODUCT INSTALLATION INSTRUCTIONS FOR SPECIFIC WIRING REQUIREMENTS.
 - 4) THIS DRAWING IS FOR GRAPHICAL REPRESENTATION OF PRODUCTS DETAILED IN THE HARDWARE SET ONLY.
 - 5) ** CONDUCTOR COUNT TO BE DETERMINED BY ACCESS CONTROL PANEL PROVIDER.

- HARDWARE USED:
- 1 RXLXEL-EO PANIC
 - 1 RXLXEL-NL-OP PANIC
 - 2 EPT 10
 - 2 8310-856 LCN ACTUATORS
 - 2 4600 AUTO OPERATOR
 - 1 SCHLAGE OR CARD READER BO WITH ACP BO

TYPE

OPERATION:
 PUSH SIDE 8310-856 ACTUATOR TO RETRACT THE ELECTRIC PANIC BARS AND OPEN THE LCN 4600 AUTO OPERATOR.
 SCHLAGE OR CARD READER BY OTHERS TO SIGNAL EL LATCH RETRACTION AND ENABLE EXTENSOR 8310-856 ACTUATOR
 PULL SIDE 8310-856 ACTUATOR TO RETRACT THE ELECTRIC PANIC BARS WHEN ENABLED BY CARD READER AND ACCESS CONTROL PANEL
 REQUEST EXIT SWITCH RX TO BE MONITORED BY OTHERS.

DATE DRAWN: 3-26-13

REVISION DATE: 07-03-17



TITLE
 RXEL PAIR WITH LCN 4600 AO AND PS914-2RS

DRAWING TYPE: WIRING DIAGRAM
 DWS NO: 109463
 DRAWING CHECKED BY: B DOVEID BOLLENGIER
 REV: C